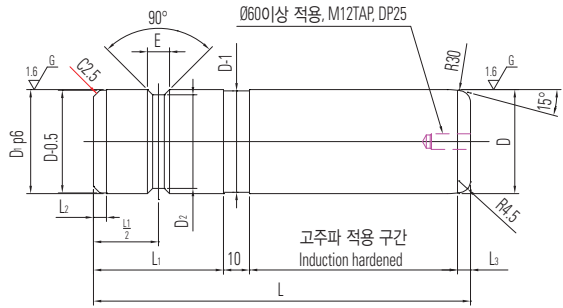


SGP



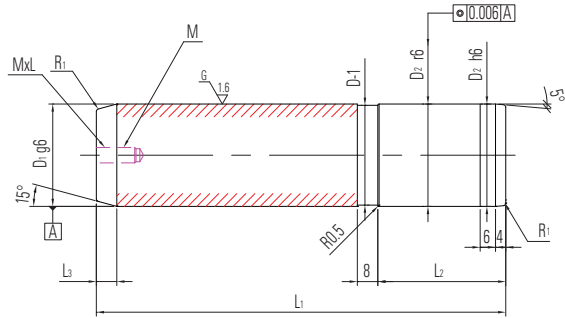
재질 ① S45C [H] 경도 ② HRC55~60

D	D ₁ , p6	D ₂	L ₁	L ₂	L ₃	E	Catalog No.	D	L
25	25	+0.035 +0.022	21	30				25	80
									100
									120
									140
30	30	+0.035 +0.022	26	40	5	5	8	30	160
									180
									200
									250
40	40	+0.042 +0.026	36	50				40	120
									140
									160
									180
50	50	+0.042 +0.026	45	70			10	50	200
									250
									300
									350
60	60	+0.051 +0.032	55	90				60	200
									250
									300
									350
65	65	+0.051 +0.032	60	100	10	10		65	250
									300
									350
									400
80	80	+0.059 +0.037	75	120				80	250
									300
									350
									400
100	100	+0.059 +0.037	95	150				100	300
									350
									400
									400

• 주문방법 Ordering 注文方法

주문예 ORDER **Catalog No.** - **L**
SGP50 - **250**

SNG-51



☐ 재질 ① S45C ☐ 경도 ② HRC57~62 ▨ 부 고주파

D ₁	D ₂	L ₁	L ₂	L ₃	R ₁	MXL	NAAMS	CATALOG NO		D ₁	D ₂	L ₁	L ₂	L ₃	R ₁	MXL	NAAMS	CATALOG NO	
									NO.										NO.
25	25	80	40	8	2	M8X20	G512508	2508	SNG51	80	80	100	10	3	M12X30	G518025	SNG51	8025	8025
		G512510					2510	G518028										8028	
		G512512					2512	G518031										8031	
		G512514					2514	G518035										8035	
		G512516					2516	G518040										8040	
32	32	180	45	8	2	M8X20	G512518	2518	SNG51	100	100	125	10	3	M12X30	G518050	SNG51	8050	8050
		G513210					3210	G511031										1031	
		G513212					3212	G511035										1035	
		G513214					3214	G511040										1040	
		G513216					3216	G511050										1050	
40	40	180	56	8	2	M8X20	G513218	3218	SNG51	115	115	140	10	3	M12X30	G511050	SNG51	1050	1050
		G513220					3220	G511140										1140	
		G514016					4016	G511150										1150	
		G514018					4018	G511240										1240	
		G514020					4020	G511245										1245	
50	50	225	70	10	2.5	M8X20	G514022	4022	SNG51	125	125	140	10	3	M12X30	G511250	SNG51	1250	1250
		G514025					4025	G511255										1255	
		G515016					5016	G511260										1260	
		G515018					5018	G511265										1265	
		G515020					5020	G511270										1270	
63	63	200	80	10	2.5	M8X20	G515022	5022	SNG51	125	125	140	10	3	M12X30	G511270	SNG51	1270	1270
		G516320					6320												
		G516322					6322												
		G516325					6325												
		G516328					6328												
63	63	225	80	10	2.5	M8X20	G516331	6331	SNG51	125	125	140	10	3	M12X30	G511270	SNG51	1270	1270
		G516332					6332												
		G516335					6335												
		G516340					6340												
		G516350					6350												

• 주문방법 Ordering 注文方法

주문예 ORDER **Catalog No.** - **L**
 SNG51 - 6325